

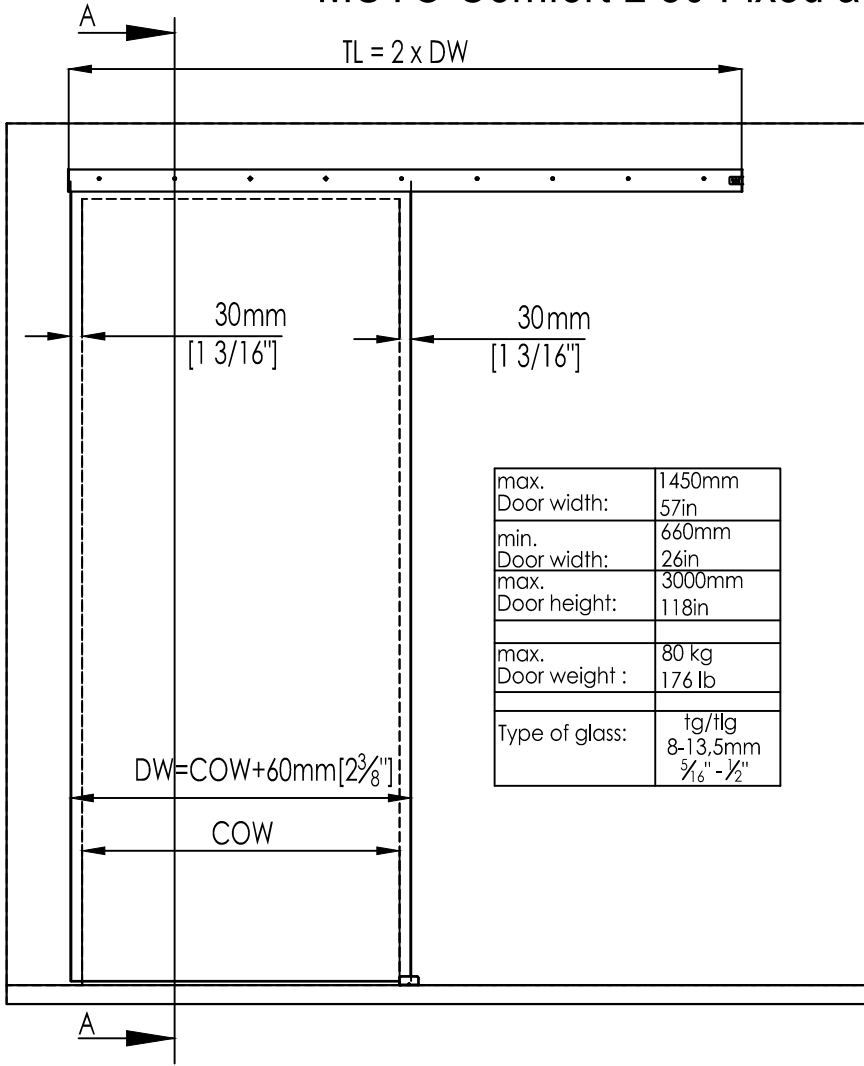
MUTO Comfort L 80 Fixed at Wall



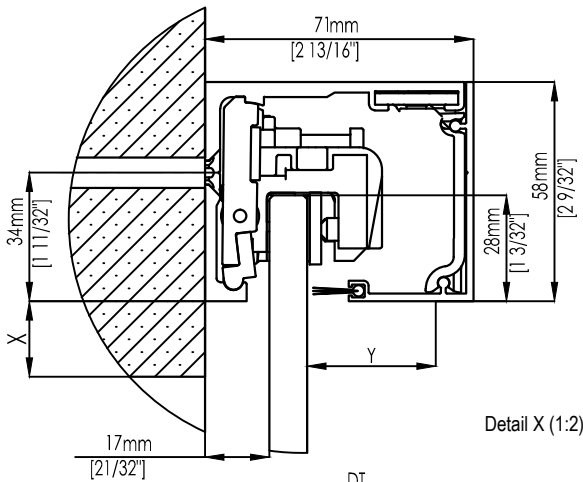
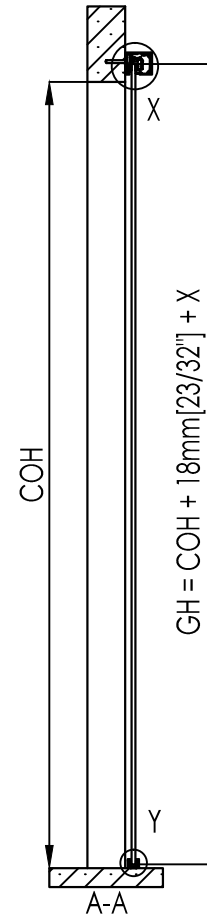
Dorma Drive
Reamstown, PA 17567
717-336-3881

REV.	DATE

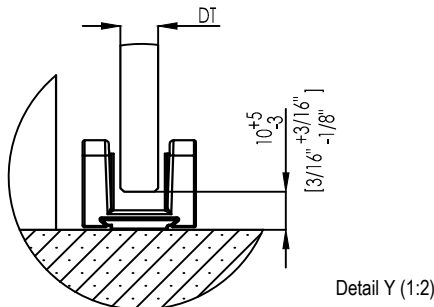
TOLERANCES
UNLESS OTHERWISE SPECIFIED:
DECIMAL .XXX = ± .005
.XX = ± .01
FRACTION ± 1/16
DEGREE ± 3°



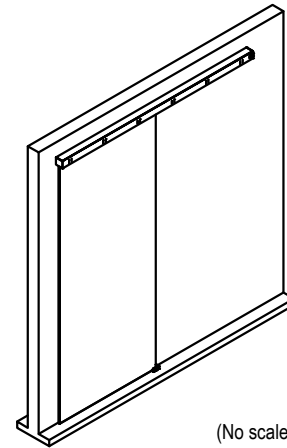
max. Door width:	1450mm 57in
min. Door width:	660mm 26in
max. Door height:	3000mm 118in
max. Door weight :	80 kg 176 lb
Type of glass:	tg/tlg 8-13,5mm 3/8" - 1/2"



Detail X (1:2)



Detail Y (1:2)



(No scale)

DW	Door Width
TL	Track Length
GH	Glass height
COH	Clear Opening Height
COW	Clear Opening Width
Y	71mm - 17mm - DT [2 3/16" - 2 1/32" - DT]
DT	Door Thickness

MUTO COMFORT L 80 FIXED AT WALL

PROPRIETARY AND CONFIDENTIAL
 This document and information is the proprietary property of DORMA GLASS. Any party, by accepting this document and information, assumes custody and control hereof and agrees that such is given in confidence and this document and the information set forth therein will not be copied, used or reproduced in whole or in part, nor its contents revealed to any person in any manner that would cause the loss or impairment of the owner's legal rights including, but not limited to, the owner's common law copyrights thereto.

DRAWN BY: JA

DATE: 11.09.15

SCALE: 1:20

SHEET: 1 OF 1

DRAWING NO.
MUTO CL
80 W

DO NOT SCALE DRAWING

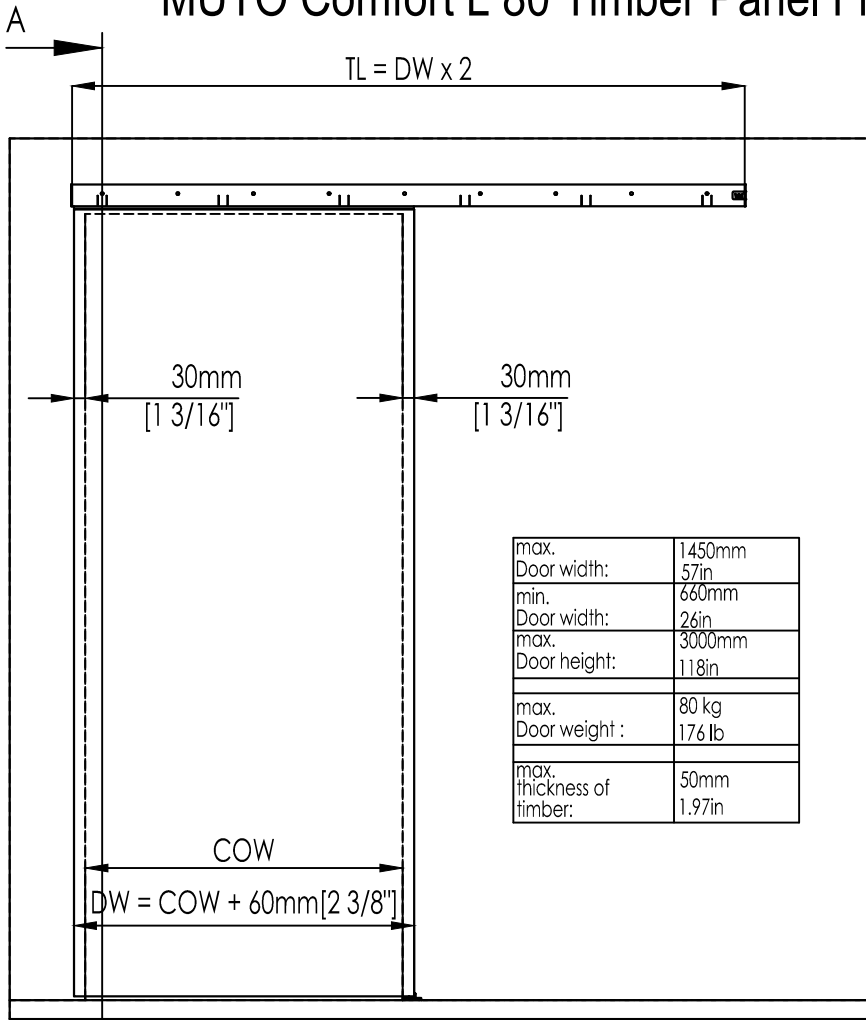
MUTO Comfort L 80 Timber Panel Fixed at Wall



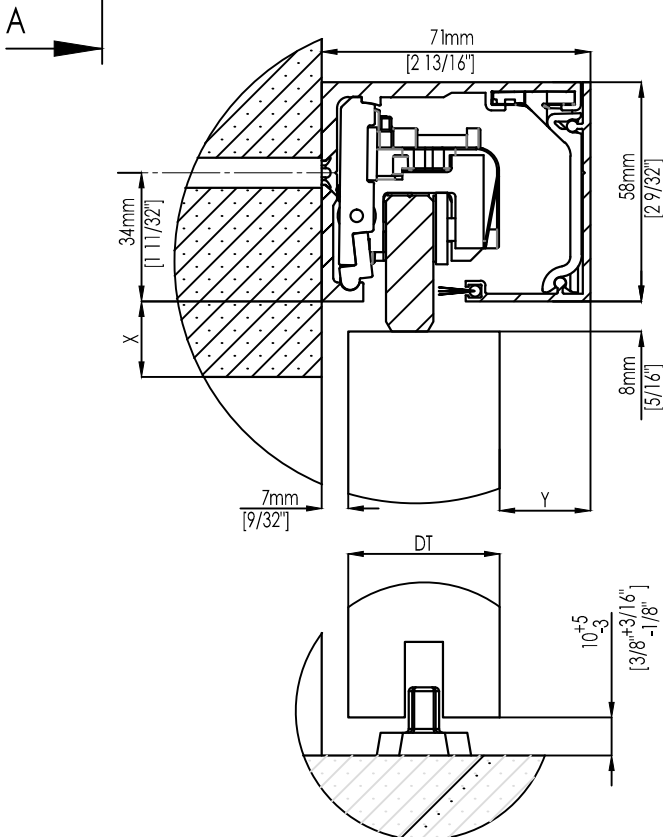
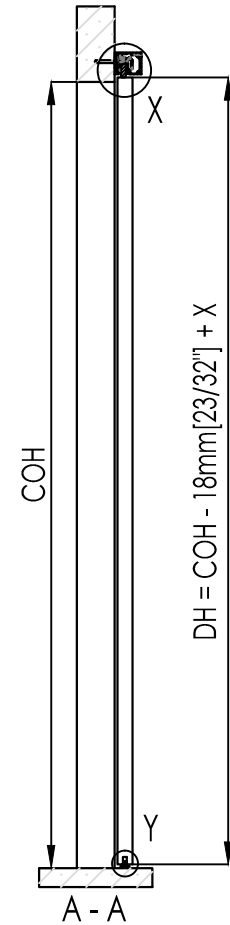
Dorma Drive
Reamstown, PA 17567
717-336-3881

REV.	DATE

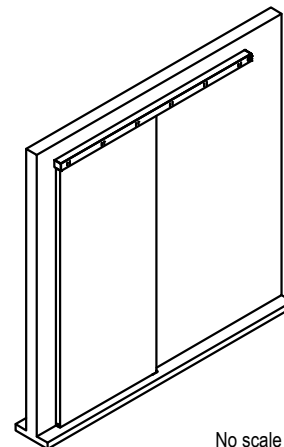
TOLERANCES
UNLESS OTHERWISE SPECIFIED:
DECIMAL .XXX = ± .005
.XX = ± .01
FRACTION ± 1/16
DEGREE ± 3°



max. Door width:	1450mm
min. Door width:	660mm
max. Door height:	3000mm
min. Door height:	118mm
max. Door weight :	80 kg
min. Door weight :	176 lb
max. thickness of timber:	50mm
min. thickness of timber:	1.97in



DW	Door Width
TL	Track Length
COH	Clear Opening Height
COW	Clear Opening Width
DH	Door Height
DT	Door Thickness



No scale

MUTO COMFORT L 80 TIMBER PANEL FIXED AT WALL

PROPRIETARY AND CONFIDENTIAL
This document and information is the proprietary property of DORMA GLASS. Any party, by accepting this document and information, assumes custody and control hereof and agrees that such is given in confidence and this document and the information set forth therein will not be copied, used or reproduced in whole or in part, nor its contents revealed to any person in any manner that would cause the loss or impairment of the owner's legal rights including, but not limited to, the owner's common law copyrights thereto.

DRAWN BY: **JA**
DATE: **11.10.15**
SCALE: **1:20**
SHEET: **1 OF 1**
DRAWING NO.
MUTO C L
80 W-WD
DO NOT SCALE DRAWING

MUTO Comfort L DORMOTION 80 Fixed at Wall



Dorma Drive
 Reamstown, PA 17567
 717-336-3881

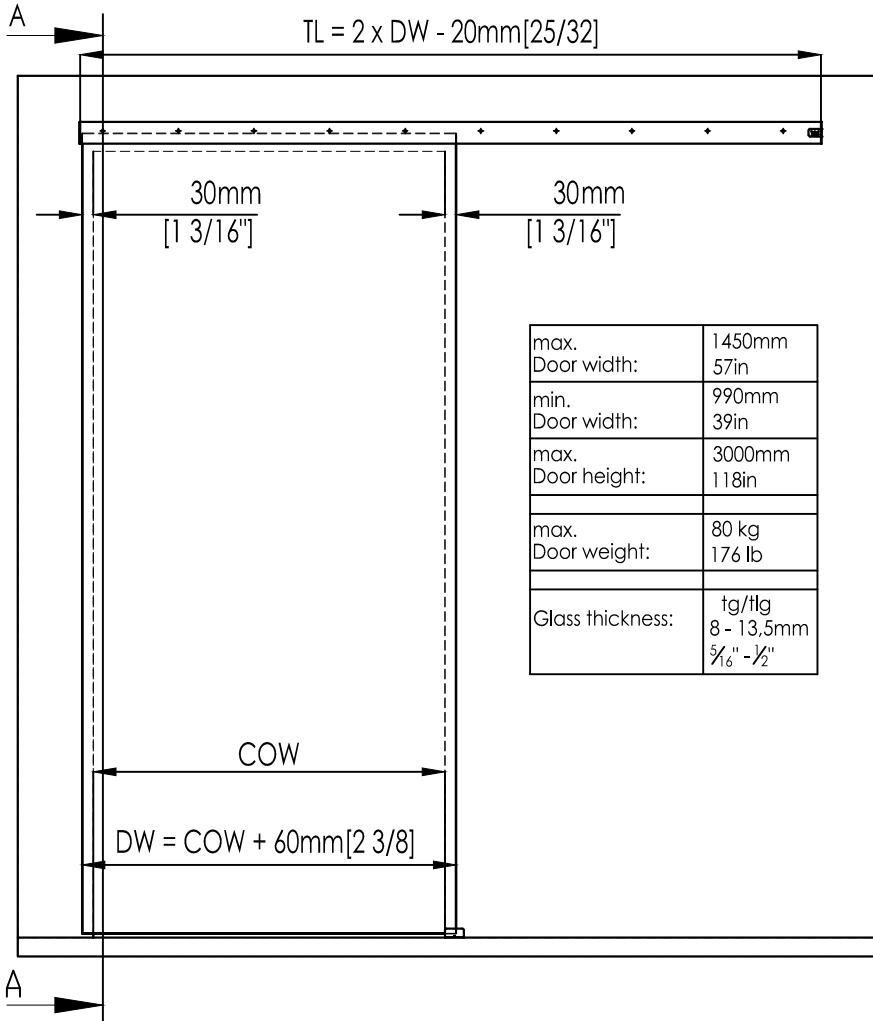
REV.	DATE

TOLERANCES
 UNLESS OTHERWISE SPECIFIED:
 DECIMAL .XXX = ±.005
 .XX = ±.01
 FRACTION ± 1/16
 DEGREE ± 3°

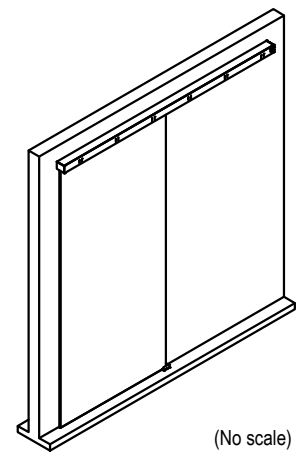
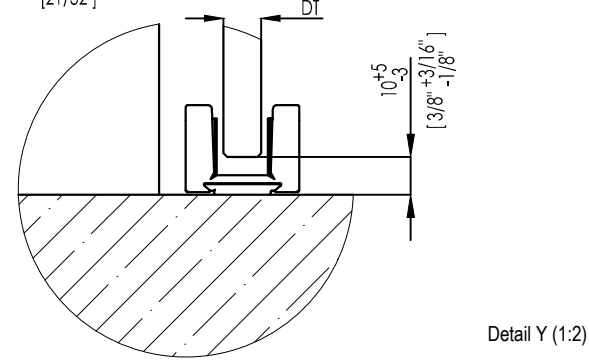
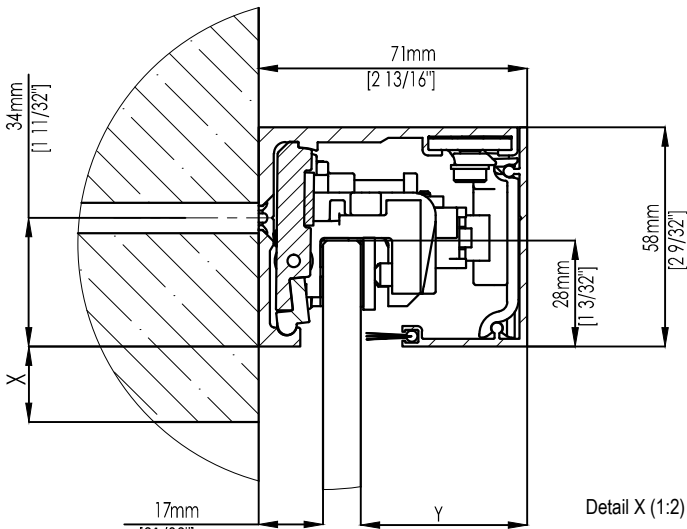
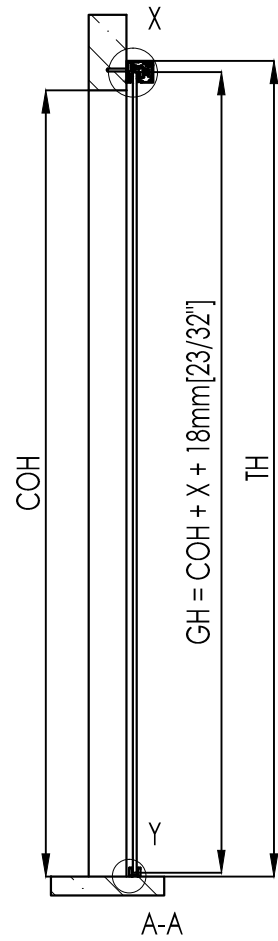
MUTO COMFORT L DORMOTION 80 FIXED AT WALL

PROPRIETARY AND CONFIDENTIAL
 This document and information is the proprietary property of DORMA GLASS. Any party, by accepting this document and information, assumes custody and control hereof and agrees that such is given in confidence and this document and the information set forth therein will not be copied, used or reproduced in whole or in part, nor its contents revealed to any person in any manner that would cause the loss or impairment of the owner's legal rights including, but not limited to, the owner's common law copyrights thereto.

DRAWN BY: **JA**
 DATE: **10.27.15**
 SCALE: **1:20**
 SHEET: **1 OF 1**
 DRAWING NO.
MUTO CLDM
80 W
 DO NOT SCALE DRAWING



max. Door width:	1450mm 57in
min. Door width:	990mm 39in
max. Door height:	3000mm 118in
max. Door weight:	80 kg 176 lb
Glass thickness:	tg/tlg 8 - 13.5mm 5/16" - 1/2"



DW	Door Width
TL	Track Length
GH	Glass Height
TH	Total System Height
COH	Clear Opening Height
COW	Clear Opening Width
DT	Door Thickness
Y	71mm - 17mm - DT [2 3/16" - 2/32" - DT]

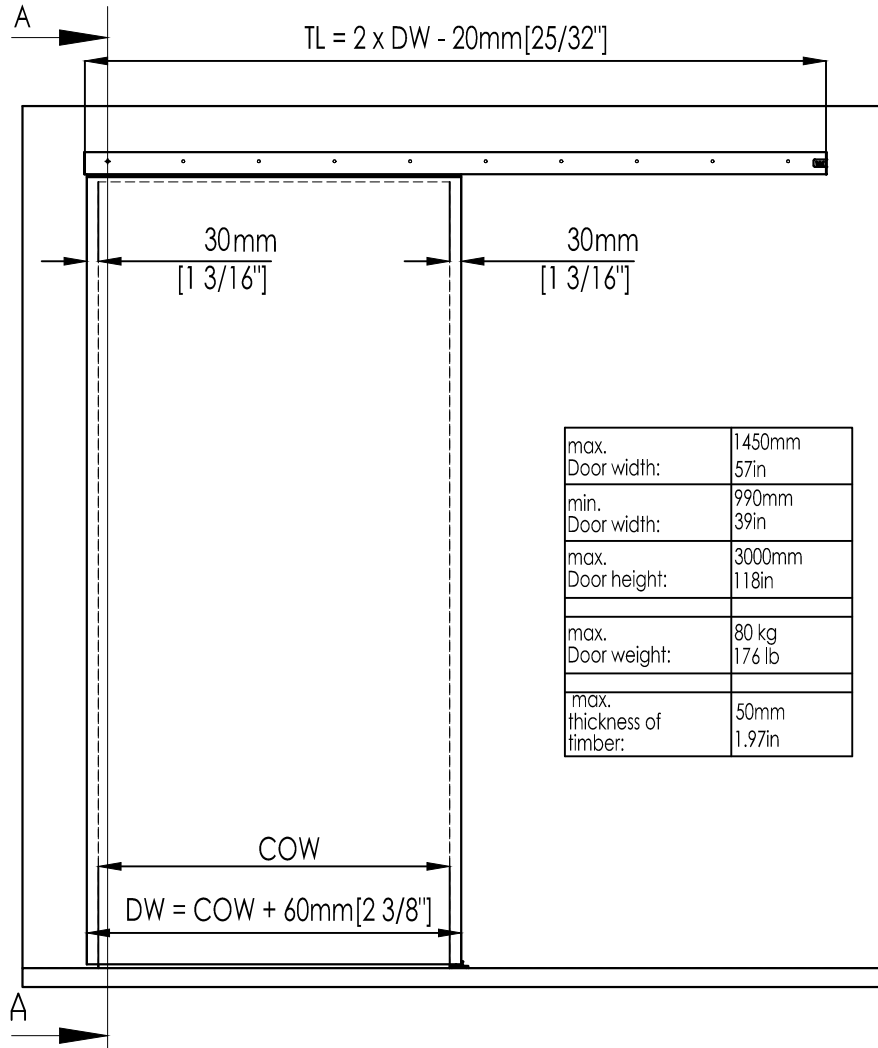
MUTO Comfort L DORMOTION 80 Timber Door Fixed at Wall



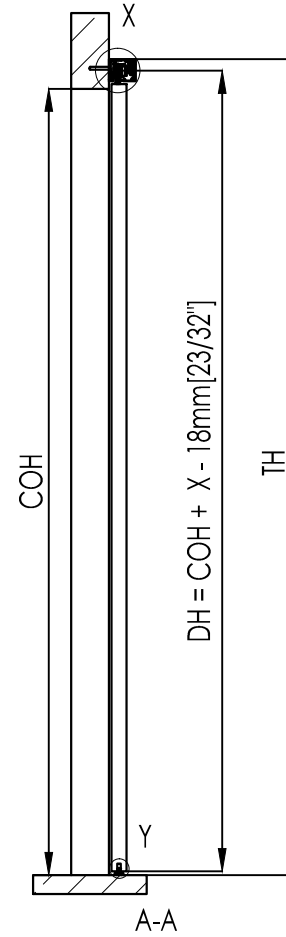
Dorma Drive
 Reamstown, PA 17567
 717-336-3881

REV.	DATE

TOLERANCES
 UNLESS OTHERWISE SPECIFIED:
 DECIMAL .XXX = ± .005
 .XX = ± .01
 FRACTION ± 1/16
 DEGREE ± 3°

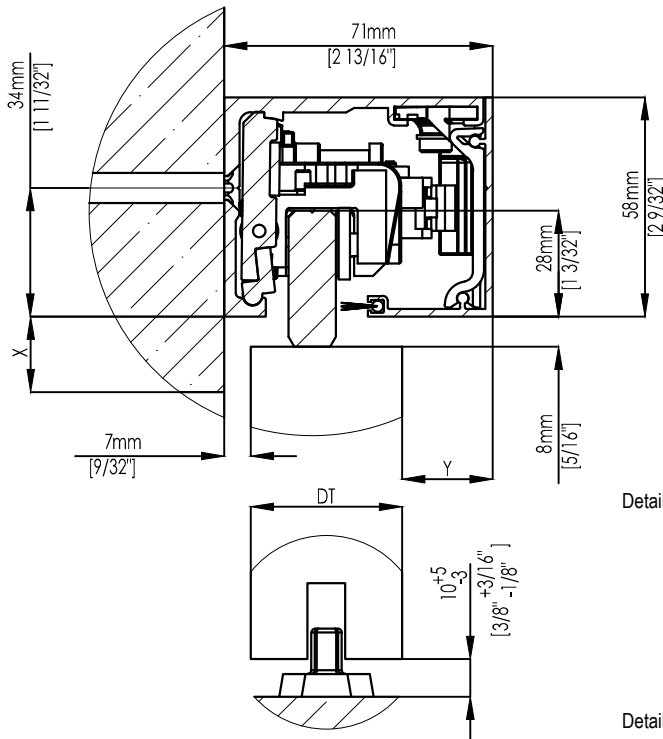


max. Door width:	1450mm 57in
min. Door width:	990mm 39in
max. Door height:	3000mm 118in
max. Door weight:	80 kg 176 lb
max. thickness of timber:	50mm 1.97in



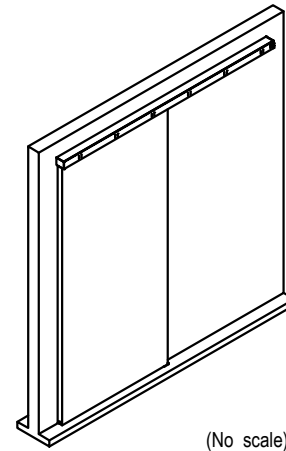
MUTO COMFORT L DORMOTION 80 TIMBER DOOR FIXED AT WALL

PROPRIETARY AND CONFIDENTIAL
 This document and information is the proprietary property of DORMA GLASS. Any party, by accepting this document and information, assumes custody and control hereof and agrees that such is given in confidence and this document and the information set forth therein will not be copied, used or reproduced in whole or in part, nor its contents revealed to any person in any manner that would cause the loss or impairment of the owner's legal rights including, but not limited to, the owner's common law copyrights thereto.



Detail X (1:2)

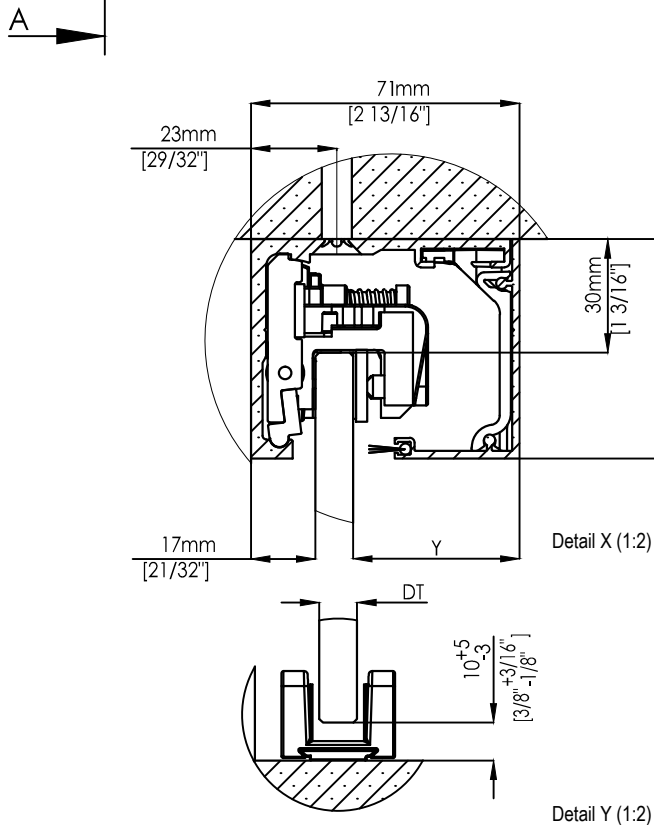
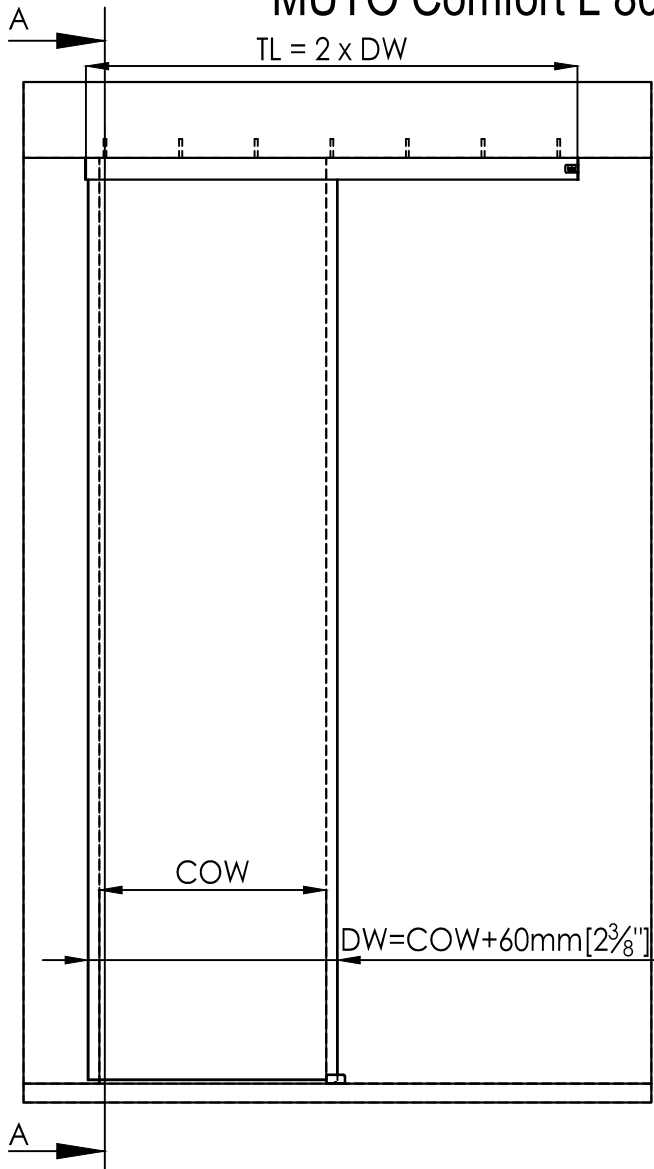
Detail Y (1:2)



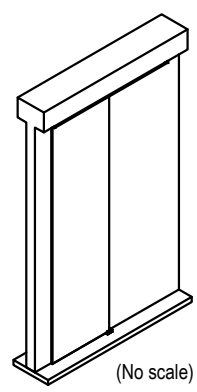
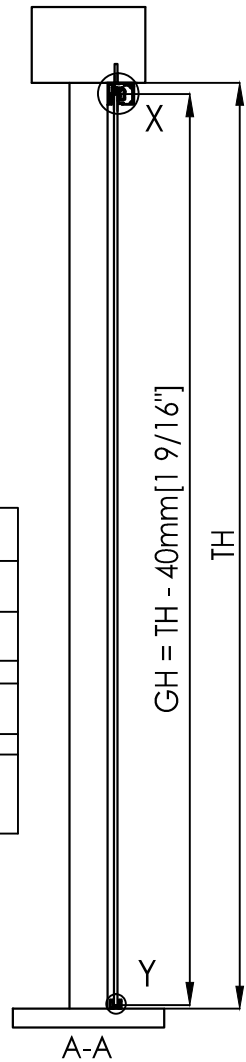
DW	Door Width
TL	Track Length
TH	Total System Height
COH	Clear Opening Height
COW	Clear Opening Width
DH	Door Height
Y	71mm - 7mm - u [2 3/16" - 3/32" - u]
DT	Door Thickness

DRAWN BY: **JA**
 DATE: **10.27.15**
 SCALE: **1:20**
 SHEET: **1 OF 1**
 DRAWING NO.
MUTO C L DM
80 W-WD
 DO NOT SCALE DRAWING

MUTO Comfort L 80 Fixed at Ceiling



max. Door width:	1450mm 57in
min. Door width:	660mm 26in
max. Door height:	3000mm 118in
max. Door weight:	80 kg 176in
Type of glass:	tg/tlg 8-13,5mm [5/8" - 1/2"]



DW	Door Width
TL	Track Length
GH	Glass height
TH	Total System Height
COW	Clear Opening Width
Y	71mm - 17mm - DT [2 13/16" - 2 1/32" - DT]
DT	Door Thickness



Dorma Drive
Reamstown, PA 17567
717-336-3881

REV.	DATE

TOLERANCES
UNLESS OTHERWISE SPECIFIED:
DECIMAL .XXX = ± .005
.XX = ± .01
FRACTION ± 1/16
DEGREE ± .3°

MUTO COMFORT L 80 FIXED AT CEILING

PROPRIETARY AND CONFIDENTIAL
 This document and information is the proprietary property of DORMA GLASS. Any party, by accepting this document and information, assumes custody and control hereof and agrees that such is given in confidence and this document and the information set forth therein will not be copied, used or reproduced in whole or in part, nor its contents revealed to any person in any manner that would cause the loss or impairment of the owner's legal rights including, but not limited to, the owner's common law copyrights thereto.

DRAWN BY:	JA
DATE:	11.06.15
SCALE:	1:20
SHEET:	1 OF 1
DRAWING NO.	MUTO C L 80 CE
DO NOT SCALE DRAWING	

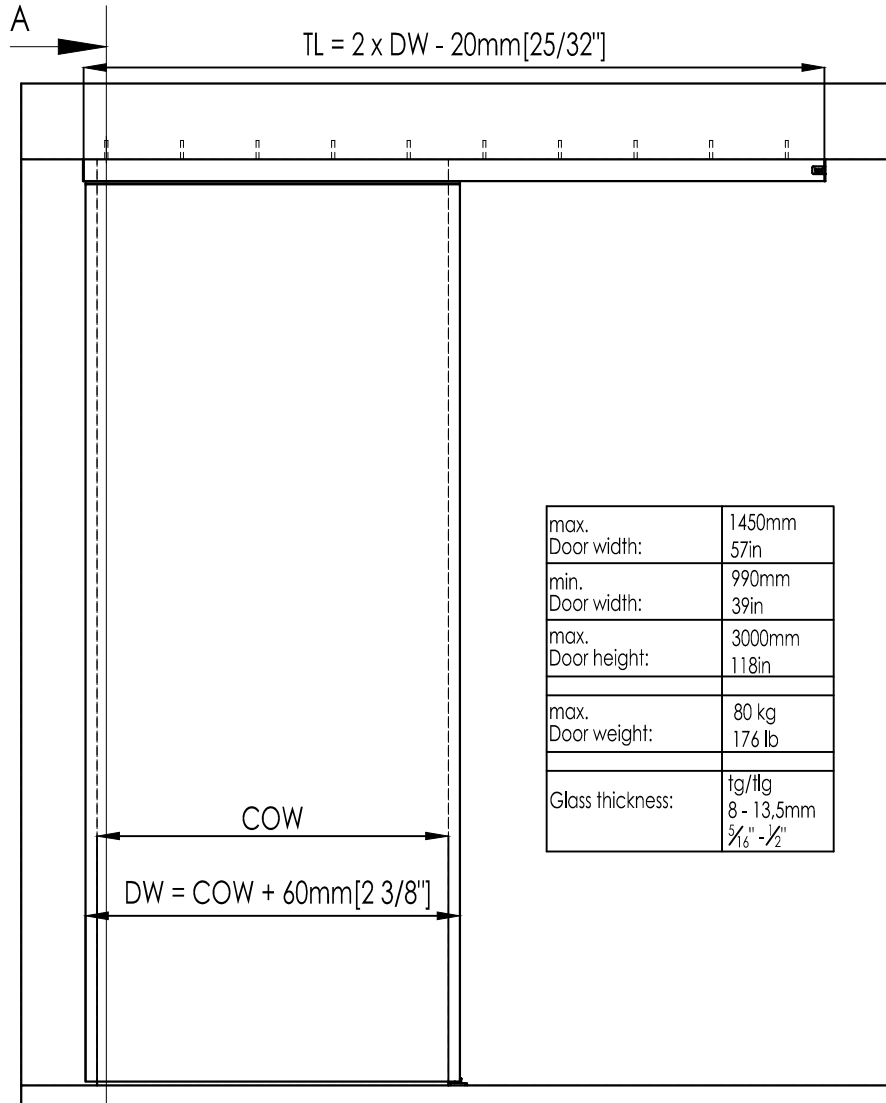
MUTO Comfort L DORMOTION 80 Timber Door Fixed at Ceiling



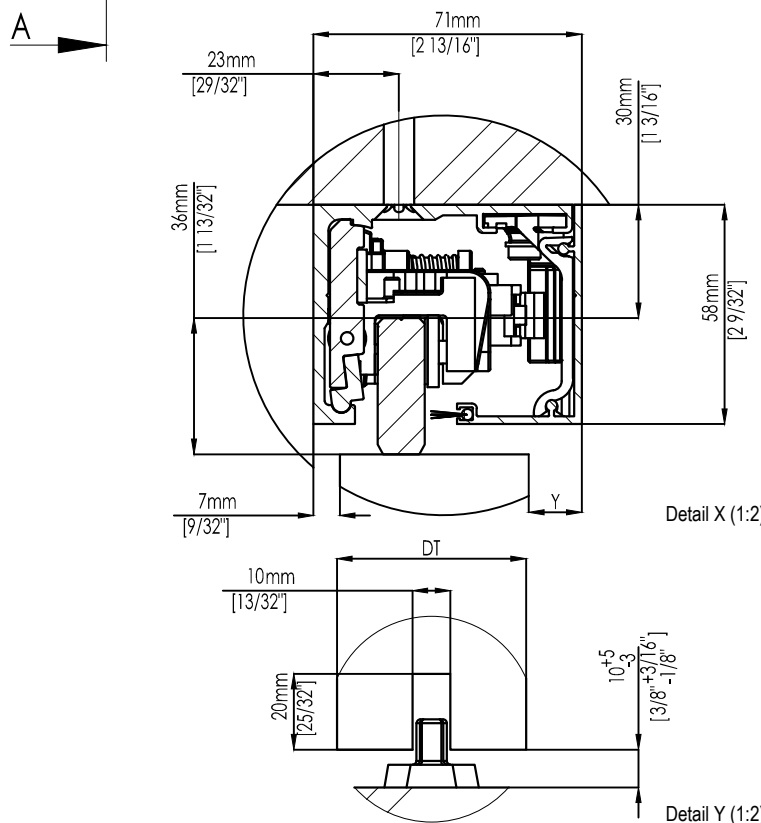
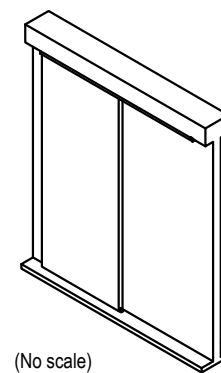
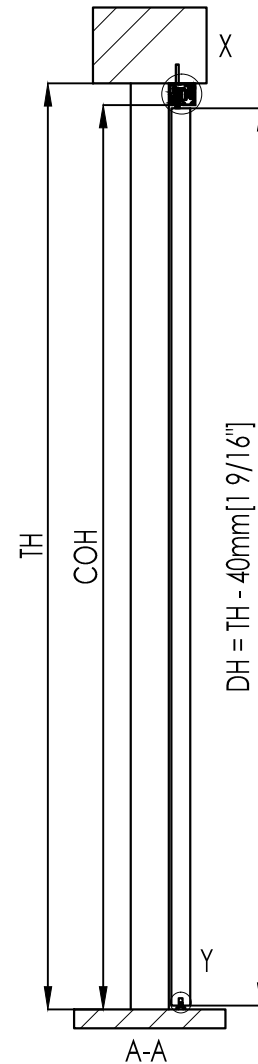
Dorma Drive
Reamstown, PA 17567
717-336-3881

REV.	DATE

TOLERANCES
UNLESS OTHERWISE SPECIFIED:
DECIMAL .XXX = ± .005
.XX = ± .01
FRACTION ± 1/16
DEGREE ± 3°



max. Door width:	1450mm 57in
min. Door width:	990mm 39in
max. Door height:	3000mm 118in
max. Door weight:	80 kg 176 lb
Glass thickness:	fg/tlg 8 - 13,5mm 5/16" - 1/2"



DW	Door Width
TL	Track Length
DH	Door Height
TH	Total System Height
COH	Clear Opening Height
COW	Clear Opening Width
DT	Door Thickness
Y	71mm - 7mm - u [2 3/16" - 9/32" - u]

MUTO COMFORT L DORMOTION 80 TIMBER DOOR FIXED AT CEILING

PROPRIETARY AND CONFIDENTIAL
This document and information is the proprietary property of DORMA GLASS. Any party, by accepting this document and information, assumes custody and control hereof and agrees that such is given in confidence and this document and the information set forth therein will not be copied, used or reproduced in whole or in part, nor its contents revealed to any person in any manner that would cause the loss or impairment of the owner's legal rights including, but not limited to, the owner's common law copyrights thereto.

DRAWN BY: **JA**
DATE: **10.27.15**
SCALE: **1:20**
SHEET: **1 OF 1**
DRAWING NO.
MUTO C L DM
80 CE-WD
DO NOT SCALE DRAWING

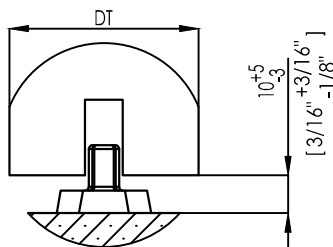
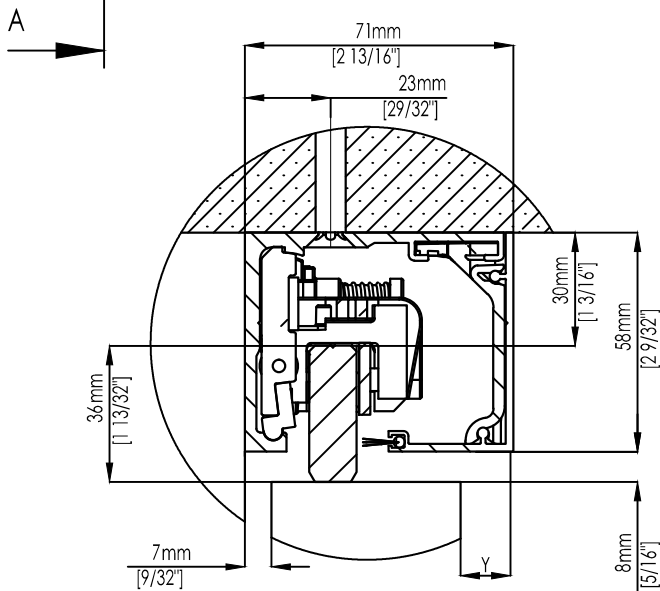
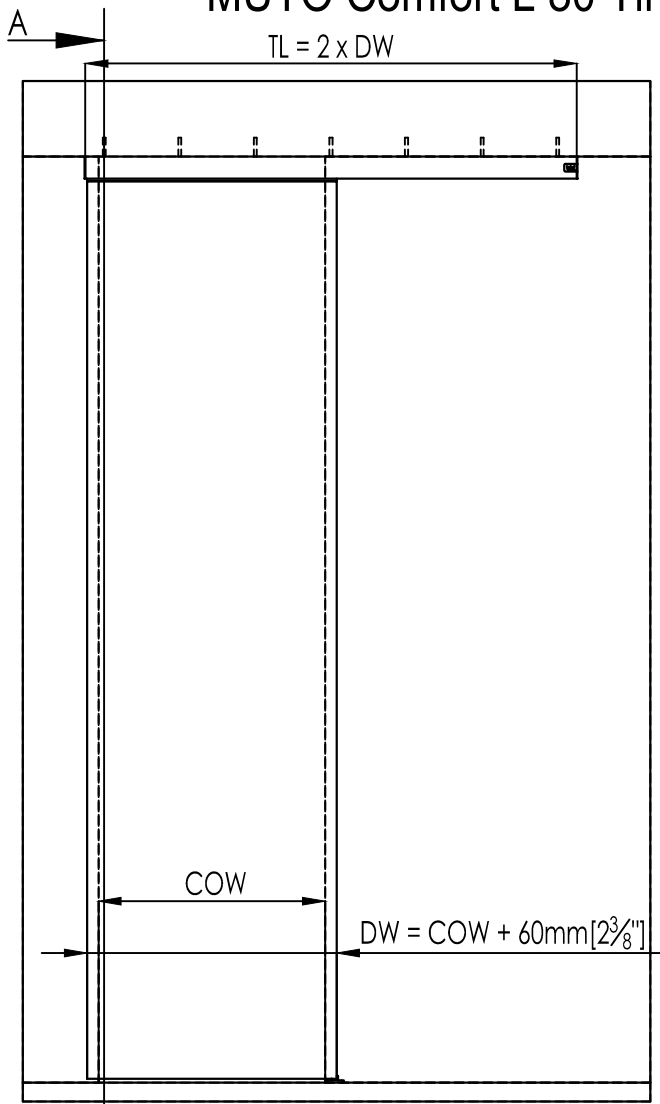
MUTO Comfort L 80 Timber Panels Fixed at Ceiling



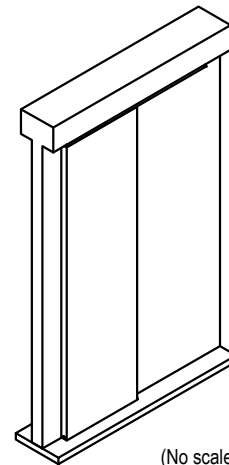
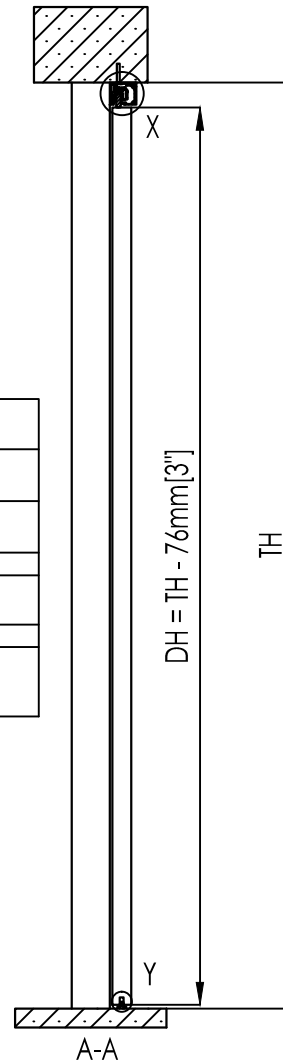
Dorma Drive
Reamstown, PA 17567
717-336-3881

REV.	DATE

TOLERANCES
UNLESS OTHERWISE SPECIFIED:
DECIMAL .XXX = ± .005
.XX = ± .01
FRACTION ± 1/16
DEGREE ± 3°



max. Door width:	1450mm 57in
min. Door width:	660mm 26in
max. Door height:	3000mm 118in
max. Door weight:	80 kg 176 lb
max. thickness of timber:	50mm 1.97in



MUTO COMFORT L 80 TIMBER PANELS FIXED AT CEILING

PROPRIETARY AND CONFIDENTIAL
 This document and information is the proprietary property of DORMA GLASS. Any party, by accepting this document and information, assumes custody and control hereof and agrees that such is given in confidence and this document and the information set forth therein will not be copied, used or reproduced in whole or in part, nor its contents revealed to any person in any manner that would cause the loss or impairment of the owner's legal rights including, but not limited to, the owner's common law copyrights thereto.

DRAWN BY: **JA**

DATE: **11.09.15**

SCALE: **1:20**

SHEET: **1 OF 1**

DRAWING NO.
MUTO C XL
150 CE-WD

DO NOT SCALE DRAWING

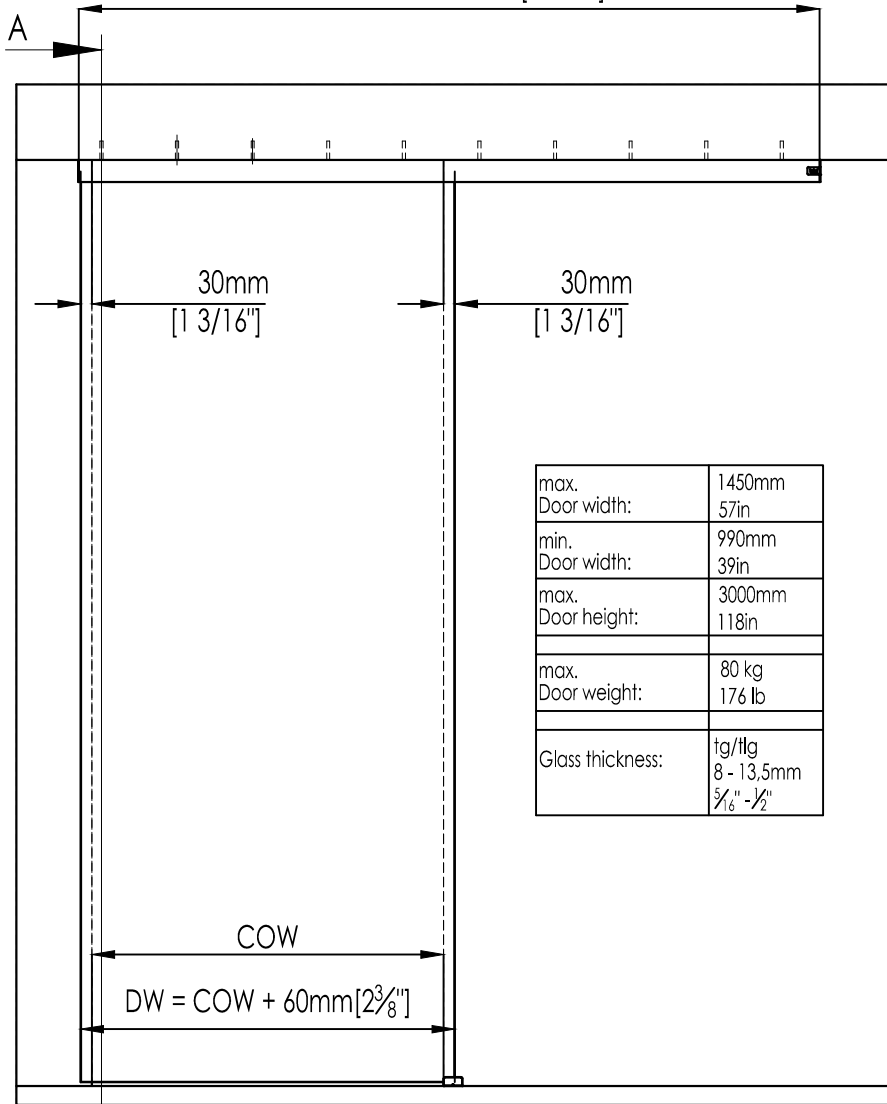
DW	Door Width
TL	Track Length
TH	Total Height
COW	Clear Opening Width
DH	Door Height
DT	Door Thickness

Detail X (1:2)

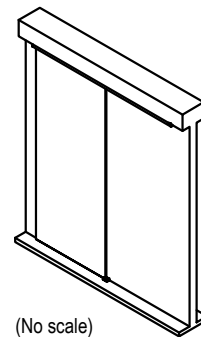
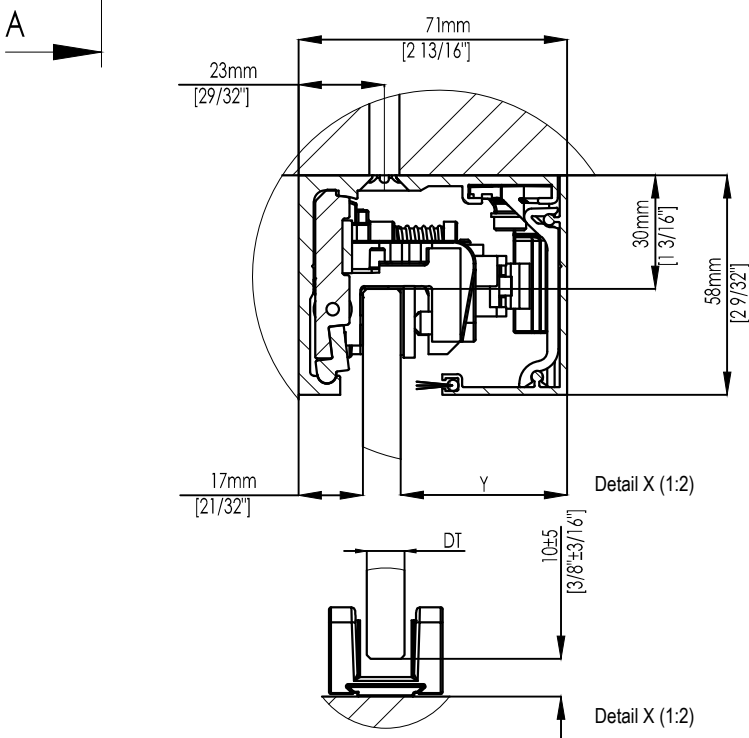
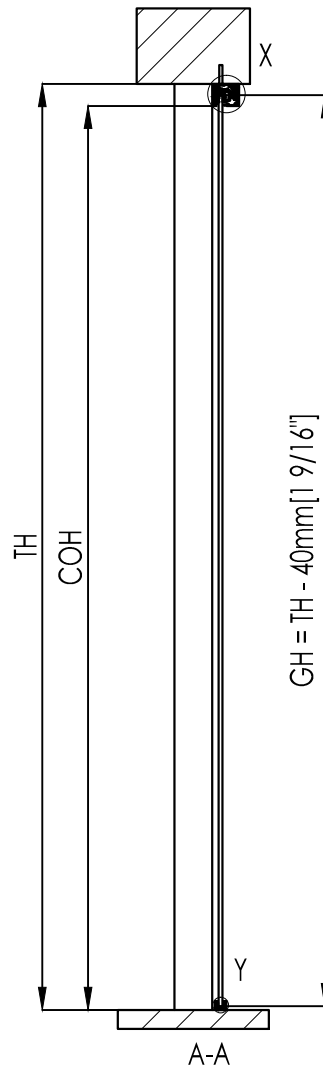
Detail X (1:2)

MUTO Comfort L DORMOTION 80 Fixed at Ceiling

$$TL = 2 \times DW - 20\text{mm}[25/32"]$$



max. Door width:	1450mm 57in
min. Door width:	990mm 39in
max. Door height:	3000mm 118in
max. Door weight:	80 kg 176 lb
Glass thickness:	t _g /t _{lg} 8 - 13,5mm $\frac{5}{16}" - \frac{1}{2}"$



DW	Door Width
TL	Track Length
GH	Glass Height
TH	Total System Height
COH	Clear Opening Height
COW	Clear Opening Width
DT	Door Thickness
Y	$71\text{mm} - 17\text{mm} - DT$ [$2\ 3/16" - 2\ 1/32" - DT$]



Dorma Drive
Reamstown, PA 17567
717-336-3881

REV.	DATE
------	------

TOLERANCES
UNLESS OTHERWISE SPECIFIED:
DECIMAL .XXX = ± .005
.XX = ± .01
FRACTION ± 1/16
DEGREE ± .3°

MUTO COMFORT L DORMOTION 80 FIXED AT CEILING

PROPRIETARY AND CONFIDENTIAL
This document and information is the proprietary property of DORMA GLASS. Any party, by accepting this document and information, assumes custody and control hereof and agrees that such is given in confidence and this document and the information set forth therein will not be copied, used or reproduced in whole or in part, nor its contents revealed to any person in any manner that would cause the loss or impairment of the owner's legal rights including, but not limited to, the owner's common law copyrights thereto.

DRAWN BY: **JA**
DATE: **10.22.15**
SCALE: **1:20**
SHEET: **1 OF 1**
DRAWING NO.
MUTO C L DM
80 CE

DO NOT SCALE DRAWING